

KARSUN FULL HEIGHT TURNSTILE SERIES



Single Lane - Bi directional/Single directional for option

Model No: JS-QGZ011



Products Introduction:

Full height turnstiles are floor-to-ceiling turnstiles with mechanical rotating barriers. They operate similarly to a revolving door with the only difference being that they allow access to one person at a time by locking after a single person makes entry into the system.

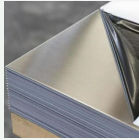
Full height turnstiles are built to stop tailgating at the exterior of your facility. While they completely shut down any attempts at tailgating, they are not able to prevent piggybacking. Full height turnstiles are cost-effective and tend to have a lifespan of 25+ years.

We provide models in stainless-steel 304 and 316. They can be powder coated to your preference and can also be motorized. full waterproofed and weatherproofed

Application Location:

A full height turnstile (or a group of full heights) is used when high-security access control is required. These models work great in prisons and other high-risk facilities like data centers, bank, and resident area. They are often supplemented with our matching full height gates to allow for handicap access and emergency egress in case of emergencies. Further, full height turnstiles can be fitted with turnstile safety sleeves for ease of use, protection, and insulation.

Features

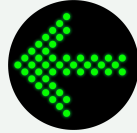


Reliability

- Full body made by Stainless steel 304
- For humidity or corrosiveness application location, we suggest Stainless steel 316 or Painting with special treatment



- KARSUN patented compact mechanism ensures the long life of the lubricating oil inside.
- High quality electrical components



Safety and User-Orientated Design

- Smooth operation designed for mass transit application
- The pictogram on the device indicating access permission and direction of movement

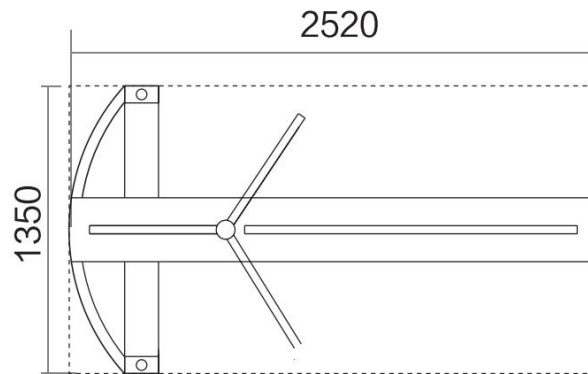
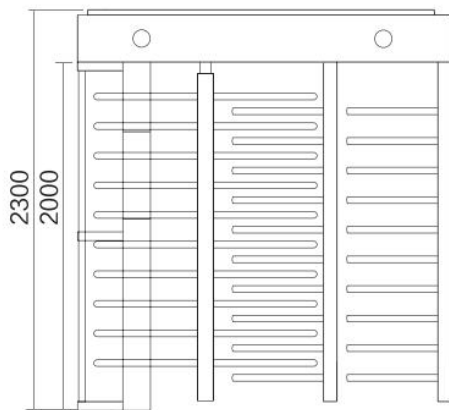


- Compatible with multi access control system: RFID , finger printing, password , push button, face recognition , IRIS/Palm vein recognition etc

Easy Integration

- Flexible reader installation plate. Customers can easily integrate with third party reader
- Standard electrical interface for third party device.
- By using compact mechanism, the turnstile has more space inside for integration
- KARSUN provides integration service in factory, with board and peripherals installed, ensuring compliance of the system. When the turnstile is delivered, just plug it in and do the setting. Save the cost of installation.

Specifications



Power Supply	AC 220V/110V, 50/60Hz
Operating Temperature	-28 °C– 80 °C
Operating Humidity	5%–85%
Working Environment	Indoor / Outdoor both, IP54 Standard
Rated Power	60W
Flow Rate	25– 48 passage/minute
Casework Material	SUS304 (SUS 316 for option)
Mechanism	Semi automatic electromagnetic mechanism with hydraulic buffer function (full automatic brushless motor for option)
Control System	Dry contact
Emergency Alarm function	Yes
Dimension	2520 * 1350 * 2300mm height + arm length 700MM
Net Weight	280kgs
Material Thickness	1.5mm
MCBF	Electromagnetic mechanism 5 million cycles , brushless motor 8 million cycles
Warranty	2 years