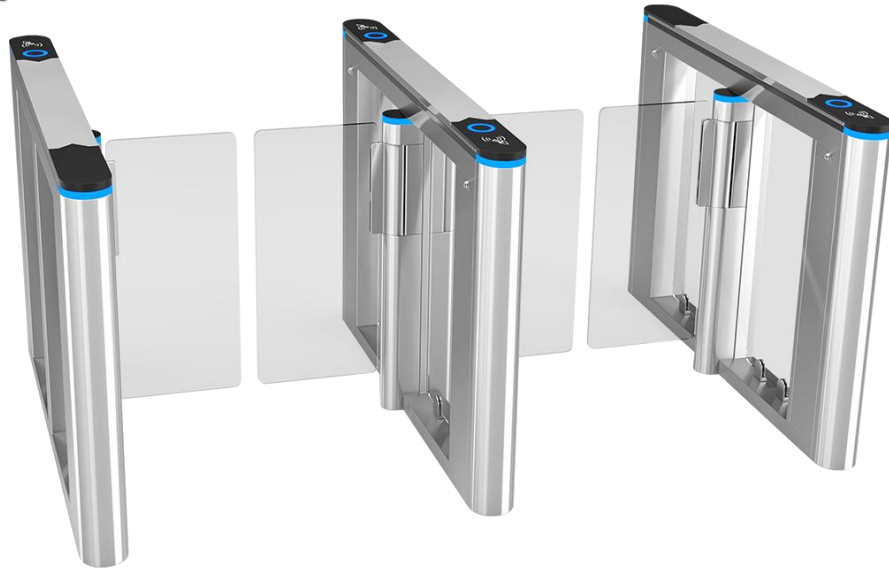


High Speed Gate

Model No:STM010



General Information:

Karsun Elegant High Speed gate STM010 provide fast, reliable access control of your building's entrance without compromising on security, while seamlessly blending in to the aesthetics of the surrounding space.

It features for slim and stylish appearance. full body with clear tempered glass/lazer pattern acrylic (optional) adaptable to match any aesthetic requirements, while still retaining high level security features.

Main Features:

- Fast & Efficient: Allow continuous passage of up to 30-40 people per minute, (pending on swing size)
- Quiet and smooth in operation, the ideal choice for sites where limited space is available and aesthetics are of high importance.
- Adopt ARM control technology and modular mechanism, durable and solid in performance.
- High customizable; Available with various length, height and color options.

Access Control System (Optional)



SWIPE CARD
Access with authorized card and payment card sex piece swipe to open the way



IRIS RECOGNITION
Use the authorized eyes of Iris Recognition to pass through the entry gates



FINGERPRINT RECOGNITION
Access with authorized fingerprint authentication



PALM VEIN RECOGNITION
Use authorized palm vein recognition to pass into



COIN/TICKET
Use disposable coins to coin through to enter



FACE RECOGNITION
Use authorized face recognition to enter

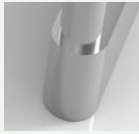


QR CODE
Scan in with authorization QR code and barcode



MANUAL OPERATION
Manual use of wired and wireless to open gates for entry

Product Details



Durable & Reliability

- Upgraded mechanism, smooth running and durable in performance, MCBF: 8 million times.
- Precise and alert swing panel position.
- Self-developed mainboard, modular design, ARM control technology.
- Easier and less maintenance
- One year factory warranty.



Secure & Efficiency

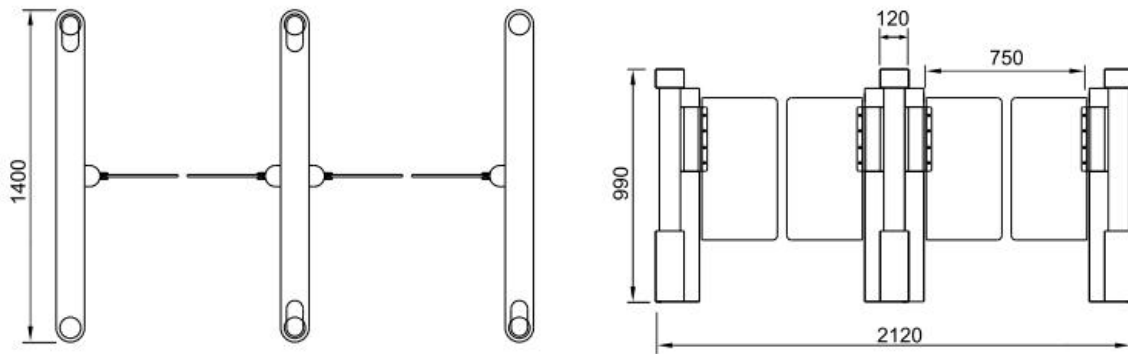
- Elegant and high end appearance design
- Visible tri-color indicator to make access experience comfortable and ease.
- Passage width can be customized
- Ideal for normal lane as well as wheelchair lane.
- Support swing panel Logo print.
- Special designed case shape, user-friendly for passenger to swipe card or biometric ways.



Easy Integration

- Flexible reader installation plate. Customers can easily integrate with third party reader
- Standard electrical interface for third party device.
- By using compact mechanism, the turnstile has more space inside for integration
- KARSUN provides integration service in factory, with board and peripherals installed, ensuring compliance of the system. When the turnstile is delivered, just plug it in and do the setting. Save the cost of installation.

Dimension:



Brand	Karsun
Motor type	DC Brushless motor
Cabinet Material	SUS304+Side Glass panel+Top black acrylic lid
Passage Width	600-900mm
Rated Power	50W
Flow rate	30-40 persons/minute (pending on swing panel size)
Passage direction	Single directional/Bi-directional
IR sensor(qty.)	4 pairs(defaulted)
Power input	AC100-240V, 50/60HZ
Emergency signal	Yes
Swing panel	Acrylic/tempered (optional)
Working voltage	50volt
Working humidity	30%~95%
Working temperature	-40℃~+70℃
Compatibility	Compatible to all recognition methods available
Communication interface	RS232/485
Net Weight(kg)	55
Dimension(mm)	1400*120*1000