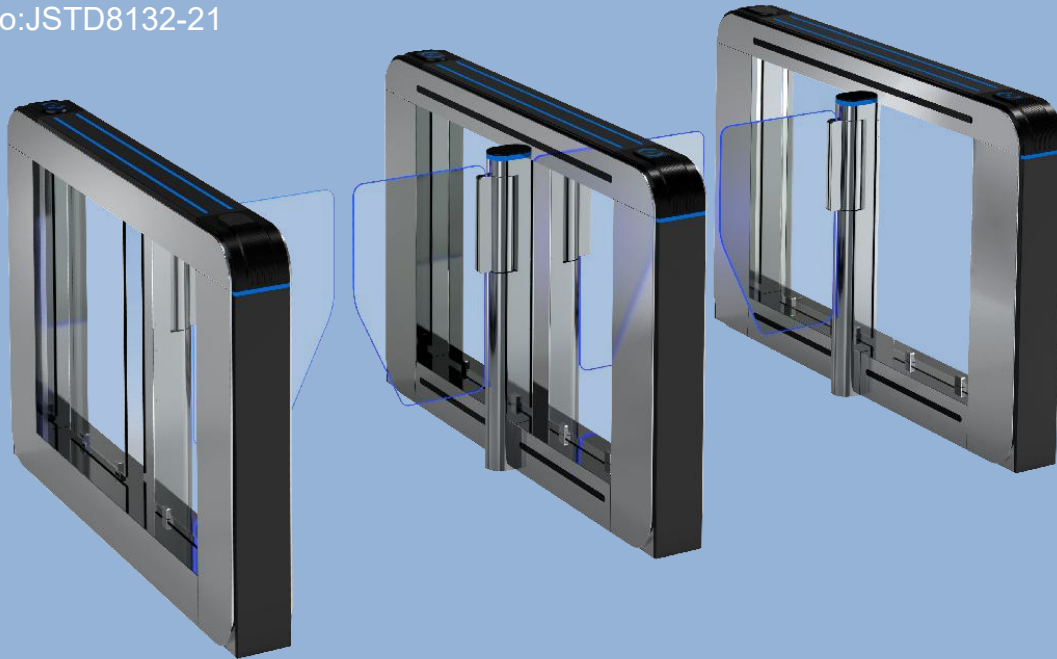


High Speed Gate

Model No:JSTD8132-21





Design Concept:

Karsun patented High Speed gate **JSTD8132-21** is a high end elegant speed gate series with patented appearance.it is designed to provide civilized and orderly access control management for pedestrians in high end sites,protecting physical security. for instance security desks,government facilities, schools,banks and hospitals, universities,sports and entertainment and student campus,it can prevent unauthorized persons access via multiple recognition modes,like RFID reader/QR code scanner/Facial terminal/Remote control/Token etc.

Main Features:

- 1.Slim styling and Elegant appearance;
- 2.Anti-collision Brushless servo motor drive(servo motor is optional);
- 3.ARM control+Modular structure, easier maintenance;
- 4.Main Circle Before Failure:10 million time;
- 5.Support mainstream access control modes(RFID/QR/Face/Thermal detecting/EU Green Pass etc)
- 6.high speed gate turnstile passage width can be customized.
- 7.Default 8 pairs sensors to ensure passenger safety,

Access Control System (Optional)

 <p>SWIPE CARD Access with authorized card and payment card sex piece swipe to open the way</p>	 <p>IRIS RECOGNITION Use the authorized eyes of Iris Recognition to pass through the entry gates</p>	 <p>FINGERPRINT RECOGNITION Access with authorized fingerprint authentication</p>	 <p>PALM VEIN RECOGNITION Use authorized palm vein recognition to pass into</p>
 <p>COIN/TICKET Use disposable coins to coin through to enter</p>	 <p>FACE RECOGNITION Use authorized face recognition to enter</p>	 <p>QR CODE Scan in with authorization QR code and barcode</p>	 <p>MANUAL OPERATION Manual use of wired and wireless to open gates for entry</p>

Product Details

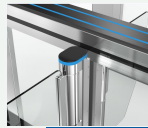


Reliability

- High grade stainless steel 304 of foot thickness of 1.5mm with groove finish.
- The cabinet is waterproof, rust-proof.



- Self-developed mainboard, modular design, ARM control technology.
- Easier and less maintenance
- 2 year factory warranty.



SWING & SIDE PANEL DESIGN

Artistic design to make gates look different; Swing barrier length can be customized Support Logo printing.

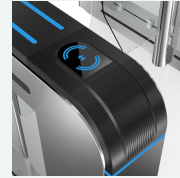


- Guest light + tri-color walkway indicating light to ensure a joyful and pleased accessing experience.
- Special designed case shape, user-friendly for passenger to swipe card or finger.

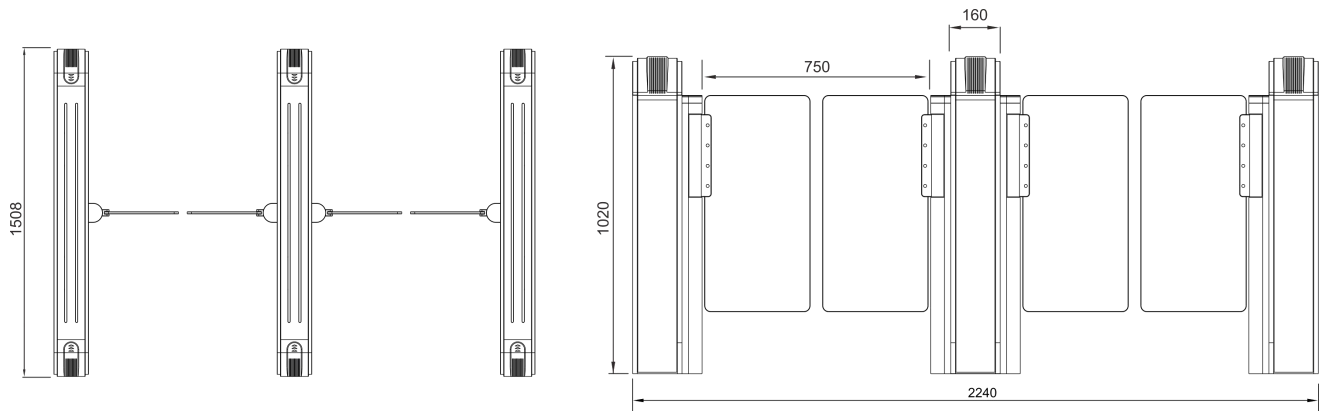
Easy Integration

- Flexible reader installation plate. Customers can easily integrate with third party reader
- Standard electrical interface for third party device.
- By using compact mechanism, the turnstile has more space inside for integration

- KARSUN provides integration service in factory, with board and peripherals installed, ensuring compliance of the system. When the turnstile is delivered, just plug it in and do the setting. Save the cost of installation.



Dimension:



Brand	Karsun
Motor type	DC Brushless motor
Cabinet Material	Full body foot thickness 1.5mm SUS304
Passage Width	600-900mm
Rated Power	60W
Flow rate	30-40 persons/minute
Passage direction	Single directional/Bi-directional
Operating time	0.2 seconds
Power input	AC100-240V,50/60HZ
Emergency signal	Yes
Dimension	1508*160*1020MM + swing panel 300-450MM
Working voltage	60volt
Working humidity	30%~95%
Working temperature	-40°C~+70°C
Gross Weight	75KG
Compatibility	Compatible to all recognition methods available
Communication interface	RS232/485